

## Low-Profile Pan

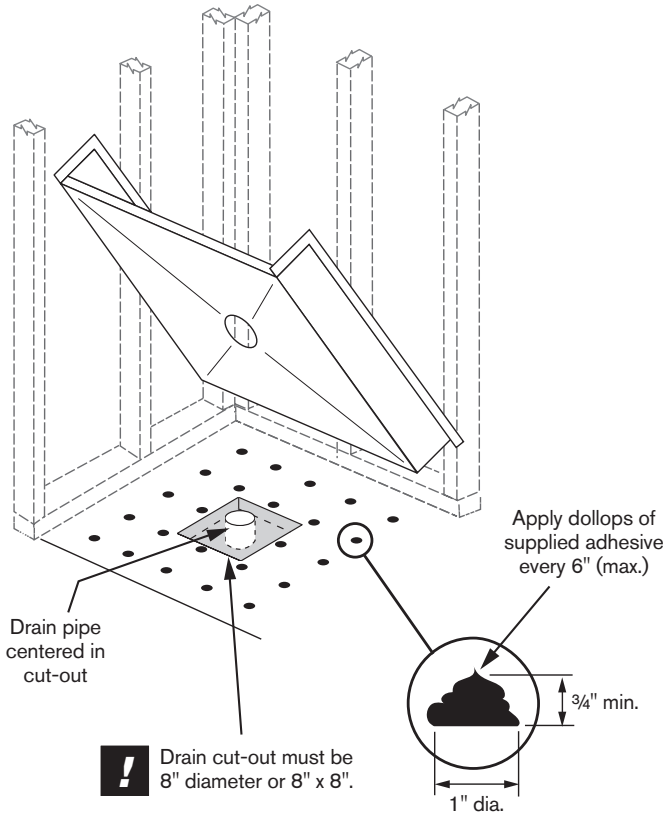
with blue, high-density polyurethane bottom

1010

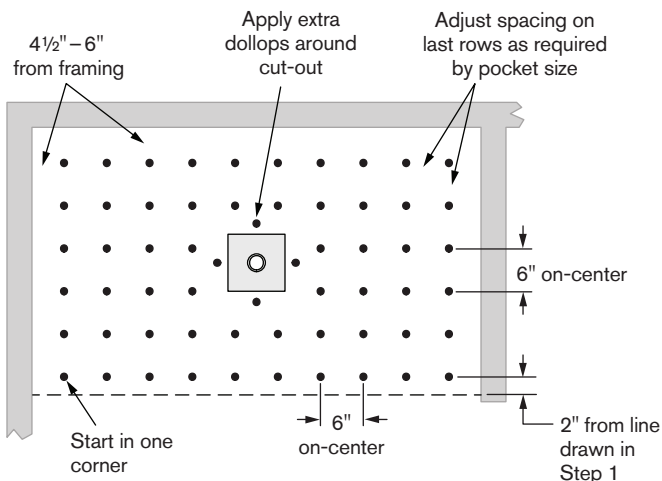
- 1 DRY-FIT PAN:** Set pan in the pocket and either dry-fit the shower walls or use a level to ensure pan is level and positioned correctly. When positioned, draw a line on the floor along front edge of pan.

**!** To avoid deforming the pan, once drain fitting is installed **DO NOT** store the pan resting on the drain.

- 2 APPLY ADHESIVE:** Prop pan up while you apply supplied adhesive. The example below shows the pattern for a 63" x 37" shower.



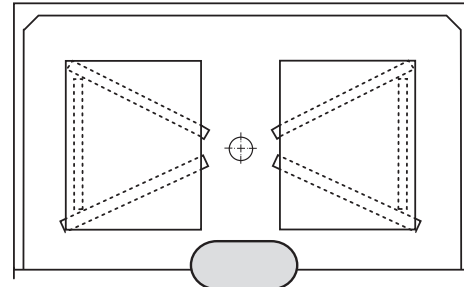
### Adhesive application pattern



- 3 LOWER PAN** into position. Make sure it aligns with line drawn in Step 1. **Avoid stepping on pan until adhesive has cured.**

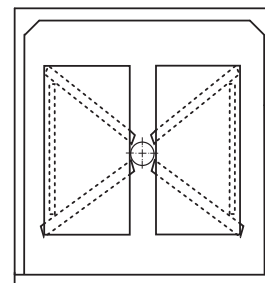
- 4 CONSTRUCT WEIGHT PLATES** as shown below (if provided). These plates distribute the weight evenly, which helps prevent deformities in the sloping floor. They also help ensure that the adhesive spreads evenly and bonds securely to both pan and floor.

### Weight plate layout for showers 5' or larger



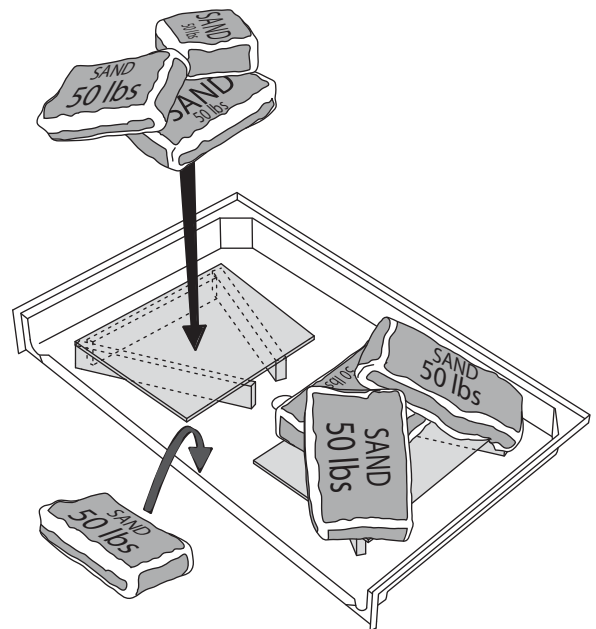
Place an additional bag along curb

### Weight plate layout for showers smaller than 5'



**!** **DO NOT** walk on pan until adhesive has cured.

**TIP:** To monitor cure time, place adhesive between two pieces of scrap wood.



### Weight Recommendations

An initial weight of roughly 200 pounds is required to bond the unit to the subfloor. Use a level to make sure there is slope to the drain; the level should sit flat against the shower floor (without rocking).

See back page for additional information and step-by-step installation instructions

# INSTALLATION INSTRUCTIONS

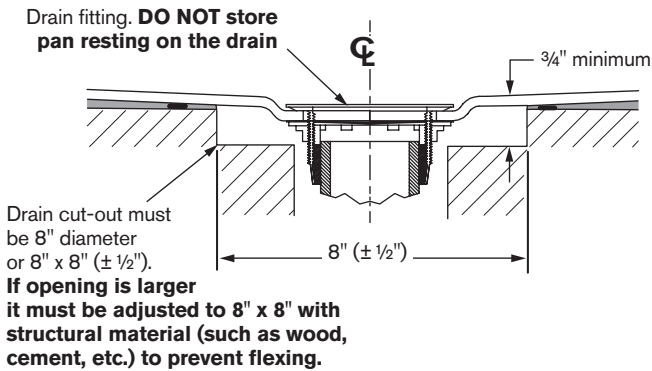
## Low-Profile Pan

with blue, high-density polyurethane bottom

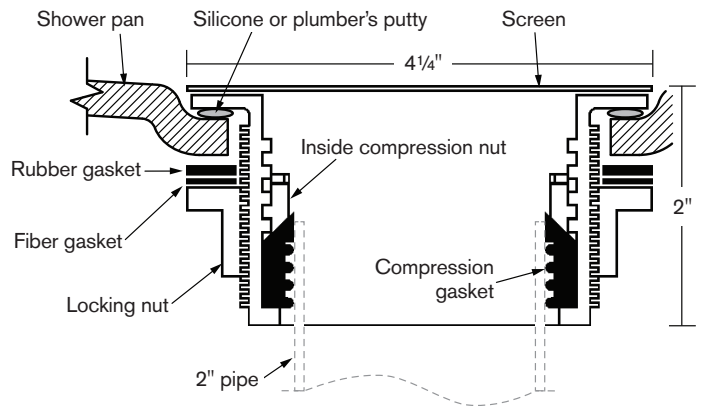


**CAUTION: IF NOT INSTALLED PROPERLY, THE SHOWER PAN MAY NOT PERFORM AS DESIGNED AND WILL NOT BE COVERED BY THE WARRANTY. The extremely low profile of this shower pan may eliminate the need for recessing. However, in order to get full and permanent contact with the floor, it MUST be installed per these instructions.**

### Cross-section of low-profile shower pan (installed)



### Cross-section of drain (installed)

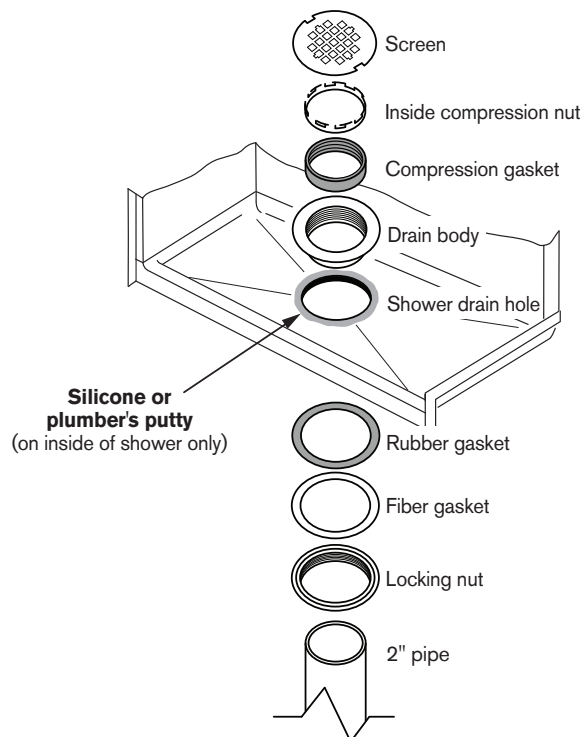


## Shower and Pan Installation

- 1 Check shower pocket area for level and for correct dimensions. Make sure drain hole in floor is the correct distance from studs. The floor must be within 1/8" of level, especially around drain box-out.
- 2 **The shower drain pipe must be centered in an 8" diameter or 8" x 8" (± 1/2") opening in the floor.** If the opening is larger, it must be adjusted to 8" x 8" with structural material (such as wood, cement, etc.) to prevent flexing. See illustration above.
- 3 **DRY-FIT THE PAN:** Set pan in the pocket. You **MUST** use a level to ensure pan is level, without low spots, and positioned correctly. Shim if necessary; see Step 11.
- 4 Draw a line on the floor along front edge of pan. This will provide a guideline for positioning the pan after adhesive is applied.
- 5 Remove pan from the framing pocket. Have a plumber install drain fitting in pan. The plumber should also prepare the drain pipe to receive the drain; the pipe must be centered in the 8 x 8 cutout. **Do not** store pan resting on drain.
- 6 Sweep the floor and remove all debris from pocket area so adhesive will adhere to the floor properly. The floor may be damp but there should be no standing water.
- 7 Clean underside of pan to remove any debris stuck to it.
- 8 Place pan in pocket and prop it up while you apply supplied adhesive to the floor. Starting in a corner, apply 1" diameter x 3/4" tall dollops of supplied adhesive every 6". The example on page 1 shows the epoxy pattern for a 63" x 37" shower.
- 9 Lower pan into position, making sure it aligns with curb line drawn in Step 4. **Avoid stepping on pan until adhesive has cured.** To monitor cure time, put adhesive between two pieces of scrap wood and press to about 1/16" apart. Set aside until Step 12.
- 10 Construct weight plates (see page 1). These plates distribute the weight evenly, which helps prevent deformities in the sloping floor. They also help ensure that the adhesive spreads evenly and bonds securely to both pan and floor.
- 11 **Make sure floor drains properly and doesn't have any low spots by pouring water on it or checking it with a level. If in doubt, remove pan and review the previous steps.**
- 12 Check cure time sample from step 9. When the pieces of scrap wood are bonded, remove weight plates and screw flanges to framing.
- 13 Proceed to install walls per instructions but avoid stepping inside the shower until the adhesive has fully cured.

## No-Caulk Drain Installation

- 1 Remove inside compression nut and compression gasket.
- 2 Apply silicone or plumber's putty around shower drain hole on the inside of shower only.
- 3 Install drain body in shower drain hole.
- 4 Install rubber gasket, fiber gasket and locking nut; tighten locking nut.
- 5 Install shower pan over drain pipe (or install pipe later.)
- 6 Slide inside compression gasket into drain body and slip over pipe. **Make sure beveled end of inside compression gasket is facing up and is flush with pipe surface.**
- 7 Tighten inside compression nut into drain body using the tool provided.



**See front page for additional installation information and important instructions**