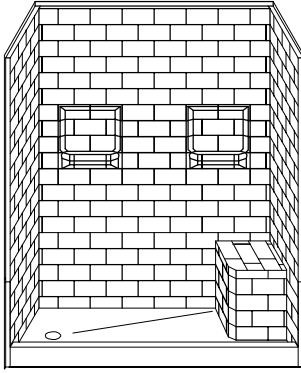


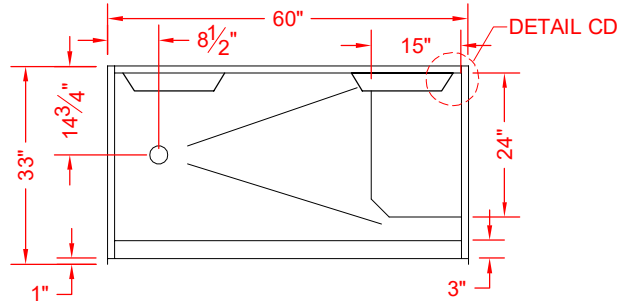
MODEL: 4LBSS6032* L/R

REMODELER

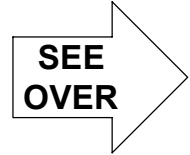
*ALL ACCESSORIES OPTIONAL



PERSPECTIVE VIEW - N.T.S.
MODEL SHOWN HERE AS:
LEFT DRAIN

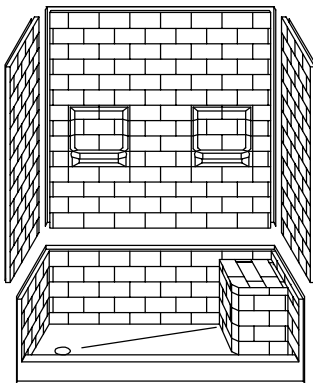


TOP VIEW - SCALE $\frac{3}{8}$ " = 1'-0"

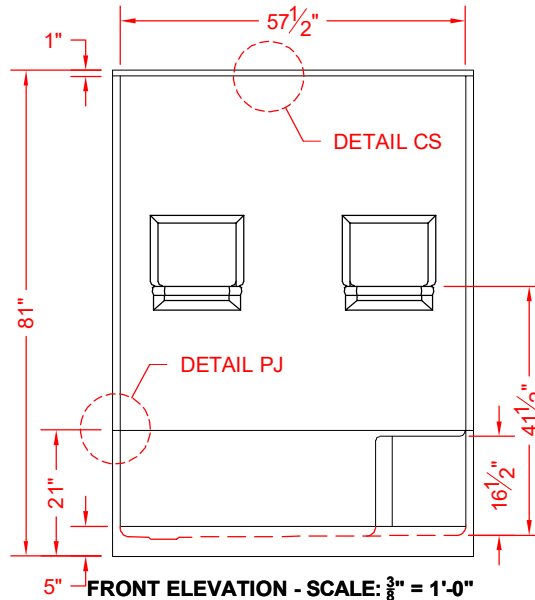


Features:

- Molded, four-piece gelcoat/fiberglass seated shower module
- "Subway Tile" wall finish, white (standard)
- Integral full wood backing for strength and unlimited accessory placement



ASSEMBLY VIEW - N.T.S.



FRONT ELEVATION - SCALE: $\frac{3}{8}$ " = 1'-0"

* - SEE BACK FOR DETAIL SECTIONS

PRODUCT SPECIFICATIONS:

- Multi-piece seat shower module shall be constructed of gelcoat/fiberglass with full integral plywood backing in the walls
- Rough-In: Stud opening +1/4" -0" Nominal Dimensions.

C.S.I. FORMAT SPECIFICATION TEXT AVAILABLE

PRODUCT INFORMATION:

- Accessories: Factory installed, unless prone to damage during installation/shipping. Polished chrome/satin stainless standard, others available.
- Colors: White as standard, others to match any major fixture manufacturer, also available with sprayable solid surface in many colors

OPTIONAL ACCESSORIES:

INSTALLED BY OTHERS:

- Grab bar
- Soap dish
- Mixing valve, pressure-balancing, lever handle, pre-plumbed tree to supply elbow
- Curtain rod brackets
- Curtain and rod
- No-caulk brass drain

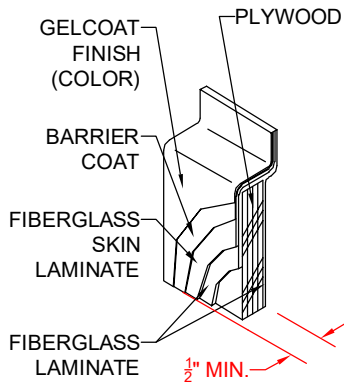
CODES:

Designed and manufactured in compliance with the following standards and codes:
C.S.A.-B45.5 2017
I.A.P.M.O. Z124 2017 Plastic Plumbing Fixtures

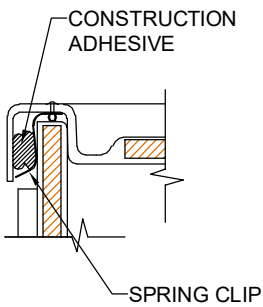
NOTICE OF LIMITATION:



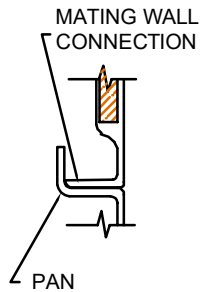
We reserve the right to make revisions without notice in the design of fixtures or in packaging unless this right has specifically been waived at the time the order is accepted.



**DETAIL CS - SCALE: N.T.S.
CROSS SECTION DETAIL**



**DETAIL CD - SCALE: 3" = 1'-0"
CORNER DETAIL**



**DETAIL PJ - SCALE: 3" = 1'-0"
PAN JOINT DETAIL**