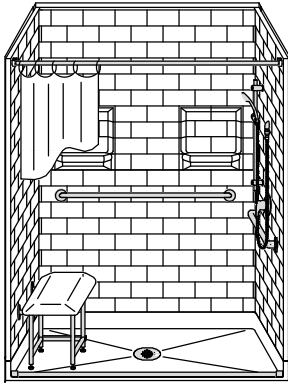


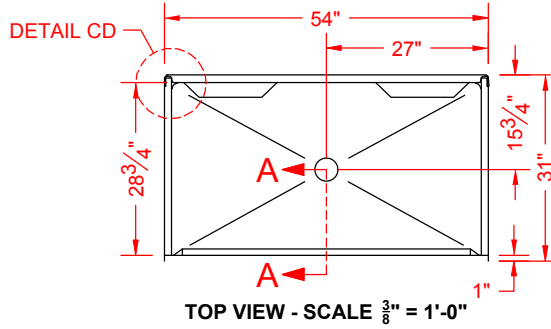
# MODEL: 5LBS5430B75B\*

# BARRIER FREE

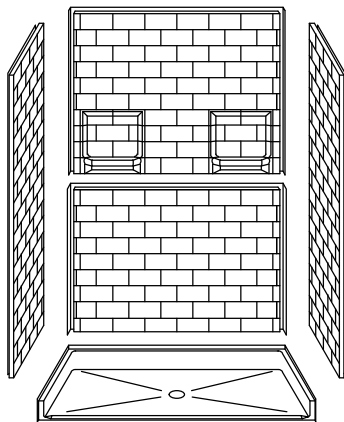
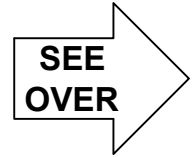
\*ALL ACCESSORIES OPTIONAL



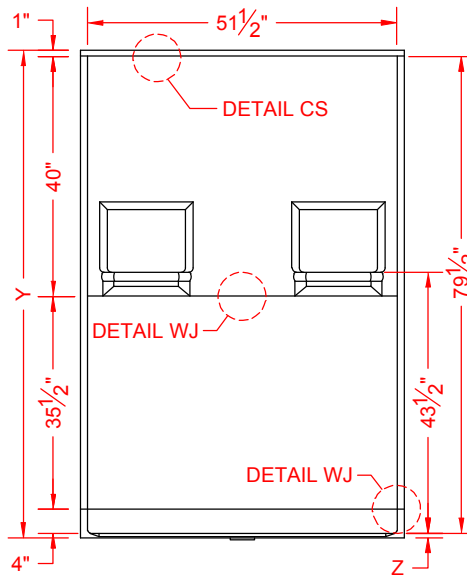
PERSPECTIVE VIEW - N.T.S.



TOP VIEW - SCALE  $\frac{3}{8}'' = 1'-0''$



ASSEMBLY VIEW - N.T.S.



FRONT ELEVATION - SCALE:  $\frac{3}{8}'' = 1'-0''$

## Features:

- Molded, five-piece gelcoat/fiberglass shower module
- "Subway Tile 4"x8" wall finish, white (standard)
- Integral full wood backing for strength and unlimited accessory placement
- Available in various threshold heights
- On all threshold heights 1-1/4" or shorter, no mud set is required and an anchoring adhesive kit is supplied
- On all threshold heights 1-1/2" or taller, no mud set is required

	UNIT HEIGHT	THRESHOLD HEIGHT
MODEL #	Y	Z*
5LBS5430B75B	81-1/4"	3/4" MIN.
5LBS5430B2B	82-1/2"	2" MAX.

\* - SEE BACK FOR DETAIL SECTIONS

## PRODUCT SPECIFICATIONS:

- Multi-piece shower module shall be constructed of gelcoat/fiberglass with full integral plywood backing
- Rough-In: Stud opening +1/4" -0" Nominal Dimensions.

C.S.I. FORMAT SPECIFICATION TEXT AVAILABLE

### PRODUCT INFORMATION:

- Accessories: Polished chrome/satin stainless standard, others available.
- Colors: White as standard, others to match any major fixture manufacturer, also available with sprayable solid surface in many colors
- Custom curb heights, other than shown, are available (between min. and max.)

### ACCESSORIES:

#### INSTALLED BY OTHERS:

- Grab bar
- Seat, folding
- Mixing valve, pressure balancing, lever handle, pre-plumbed tee to supply elbow
- Curtain and rod
- T-shaped rubber WaterStopper kit
- Semi-permanent threshold adaptor
- No-caulk brass drain

### CODES:

Designed and manufactured in compliance with the following standards and codes:  
-A.N.S.I. Z124.2 Standards for Plastic Showers

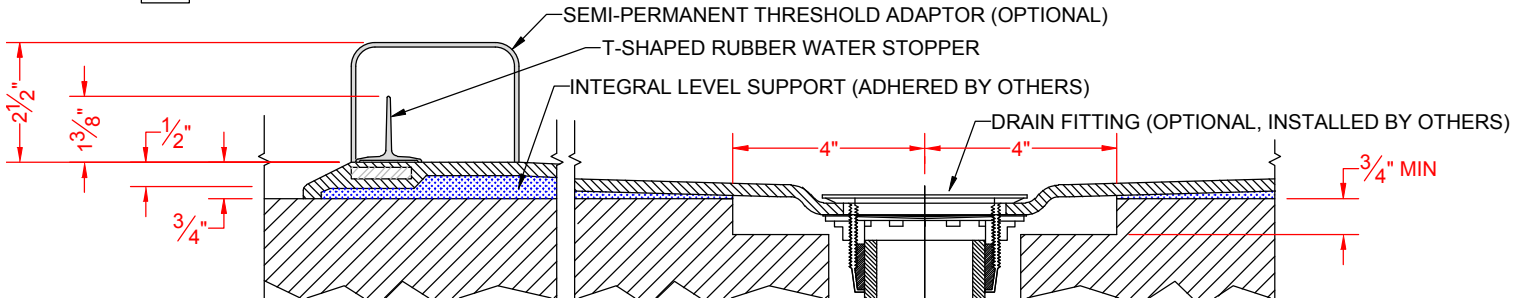
### NOTICE OF LIMITATION:

Does not meet:  
-I.P.C. International Plumbing Code  
-U.P.C. Uniform Plumbing Code



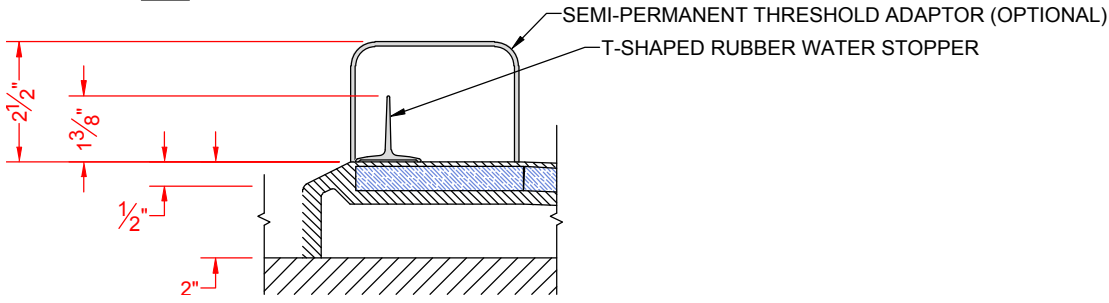
We reserve the right to make revisions without notice in the design of fixtures or in packaging unless this right has specifically been waived at the time the order is accepted.

**5LBS5430B75B**



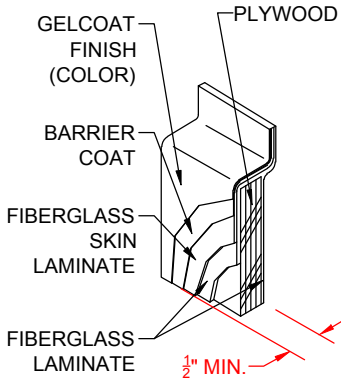
SECTION A-A - SCALE: 3" = 1'-0"

**5LBS5430B2B**

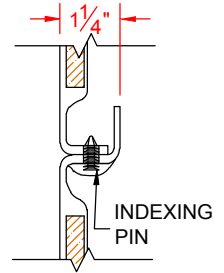


SECTION A-A - SCALE: 3" = 1'-0"

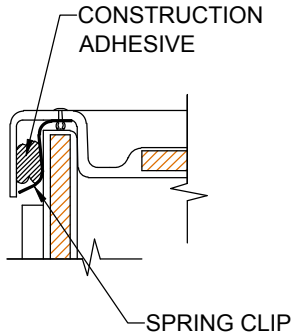
**\*\*OTHER THRESHOLD HEIGHTS AVAILABLE UPON REQUEST\*\***



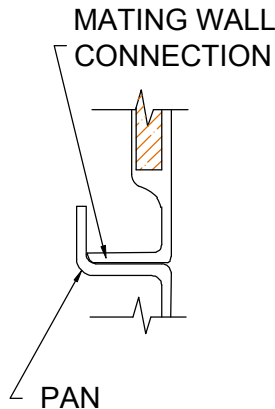
DETAIL CS - SCALE: 3" = 1'-0"  
 CROSS SECTION DETAIL



DETAIL WJ - SCALE: NTS  
 BACKWALL JOINT DETAIL



DETAIL CD - SCALE: NTS  
 CORNER JOINT DETAIL



DETAIL PJ - SCALE: NTS  
 PAN JOINT DETAIL