

Alcove Installation

Applicable units: RA2, RB14, RC2, RE2, RH6, RM3,

Pictures may differ from actual unit but installation still applies

1 Check alcove area for level and correct dimensions, make sure drain hole is in the correct position.

2 Prepare Hot, Cold, Drain, and GFCI outlet and check locations will work for selected model.

***BE SURE THAT PLUMBING AND ELECTRICAL ARE DONE BY A LICENSED PROFESSIONAL AND ABIDE BY ANY APPLICABLE STATE OR LOCAL CODES.**

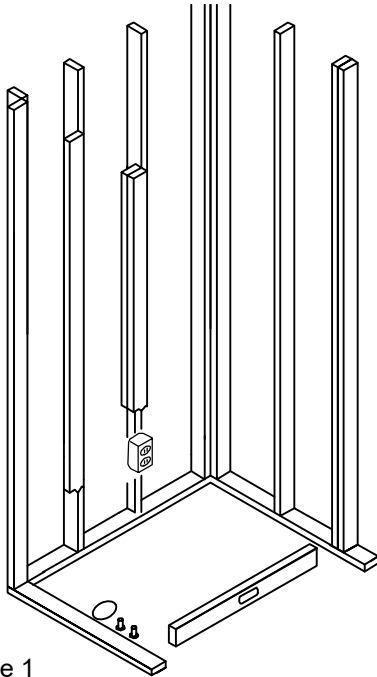


Figure 1

3 Dry-Fit the walk in tub: Place your walk in tub into the alcove. The tub **MUST** be level, if adjustment is necessary loosen lock nut and rotate the feet, at the bottom, until all ends of the tub are level.

***IF UNIT HAS 6 FEET, LEAVE MIDDLE TWO RETRACTED UNTIL UNIT IS LEVEL. THEN LOWER TO THE FLOOR AND SET WITH A HALF TURN. DOUBLE CHECK LEVEL BEFORE SECURING THE TUB TO THE FLOOR. IF DOOR SWINGS WITHOUT CONTACT THE UNIT IS NOT LEVEL, IMPROPER LEVEL MAY CAUSE DOOR LEAKS.**

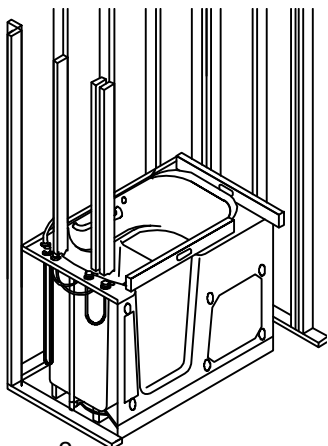


Figure 2

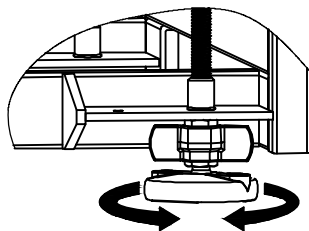


Figure 3

3.5 For Tub with adjustment wrench: Factory level is indexed with a Teflon marker. This marker sets level based on a completely level surface. For out of level subfloor, adjust the leg up or down until tub body is level.

4 Once unit has been leveled, have a plumber rough in the valve as well as the plumbing to the drain and overflow. Make sure the tub drains properly by testing with water.

***DO NOT COMPLETELY FILL TUB AT THIS TIME**

5 Once plumbing has been checked and level is confirmed, secure the tub to the alcove by placing screws through the nailing flange (if applicable) stud framing.

6 If the alcove is larger than the tub, deck extensions are available, if required trim deck extensions before installing. Be sure to seal all seams with silicone.

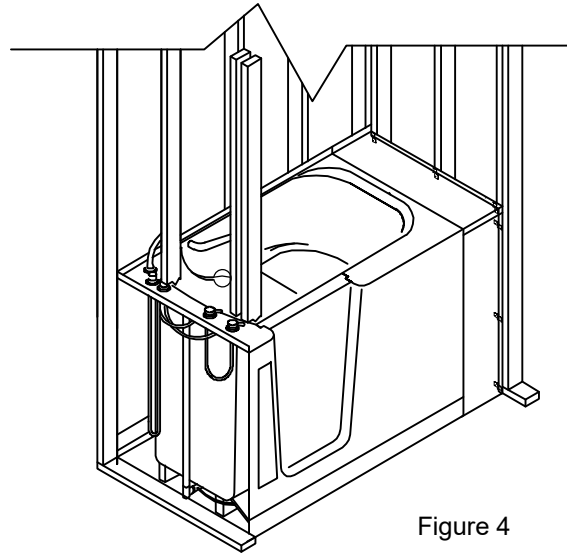


Figure 4

7 Attach any accessories, such as shower wand and disinfectant hose assembly. (if provided, concealed inside tub and able to be pulled out)

8 If air spa, whirlpool, and heated back seat included, plug in the electrical cord into the GFCI outlet. (contact Rane for electrical requirements)

9 Thoroughly clean out tub with non-abrasive cleaner and rinse to ensure no debris is left in the unit. Failure to do so may cause damage to the air spa system. Test the tub for proper operation and ensure there are no leaks.

10 After the tub has been tested for proper function, remove any installation labels and directions.

! The thorough inspection and startup of the tub is required before first use. It is the installer's responsibility to check and tighten supply and drain connections before use.

! To prevent abnormal wear or damage to Inward swing door seal, door is to be stored in the open position when not in use. After each use, clean and wipe down unit. Failure to follow these installation instructions may void warranty.