

Crestline Shower Wall Installation

for multi-piece units



###

I Kit Contents:

- (1) Crestine Wall Surround System
- (1) Silicone Caulk
- (1) Construction Adhesive

II Required Tools and Supplies:

- Angle Grinder (with Diamond Blade)
- Diamond Hole Saw
- Tape Measure
- 1/8" Drill Bit
- 3" Masking Tape
- Marker
- Screw Driver or Power Drill (not impact driver)



Bestbath's Crestline walls are designed to be trimmable up two feet from the top when used with the Shower Wall to Ceiling Trim Kit. If more than two feet from the top is trimmed, the warranty is void.

III Height Adjustment Procedure:

Steps 1-4 apply only if height adjustment is required. If height adjustment is not required, proceed to step 5.

- 1** Measure the distance from the top ledge of the base to the ceiling.

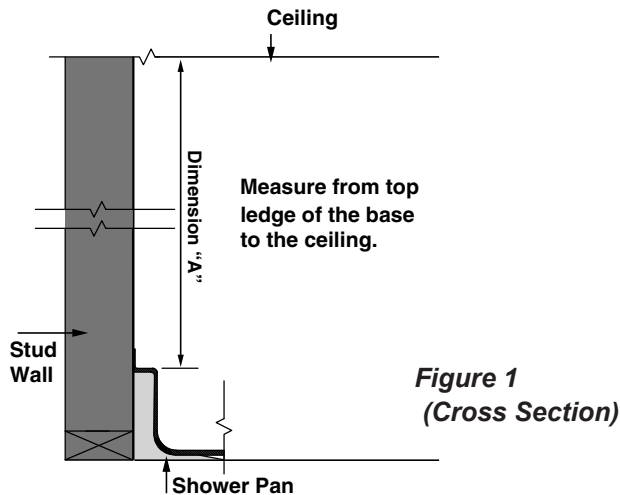


Figure 1
(Cross Section)

- 2** Place masking tape on the wall, where the cut will take place to minimize chipping.

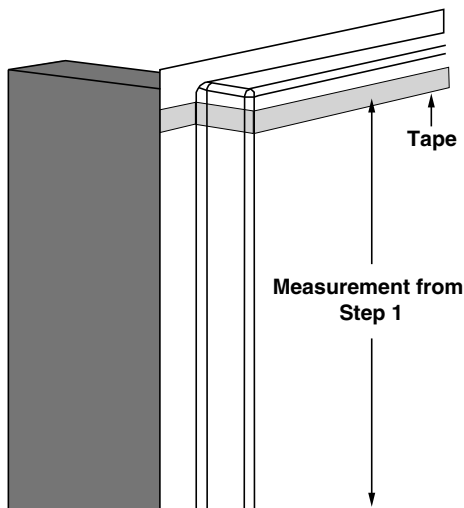


Figure 2
(Side View)

- 3** Transfer the measurement from Step 1 to the wall. Mark the cut line on top of the masking tape.

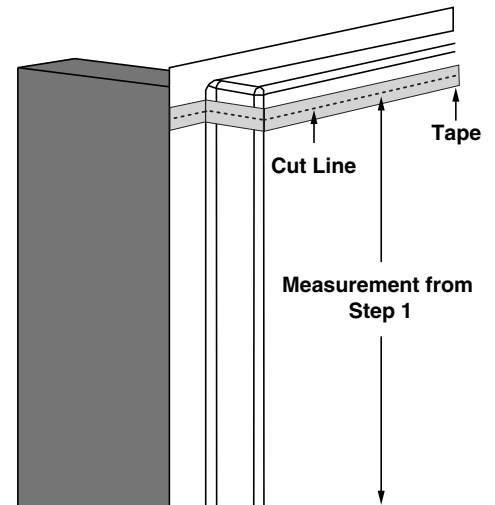


Figure 3
(Side View)

- 4** Using an angle grinder with a diamond blade, cut along the line from Step 3.

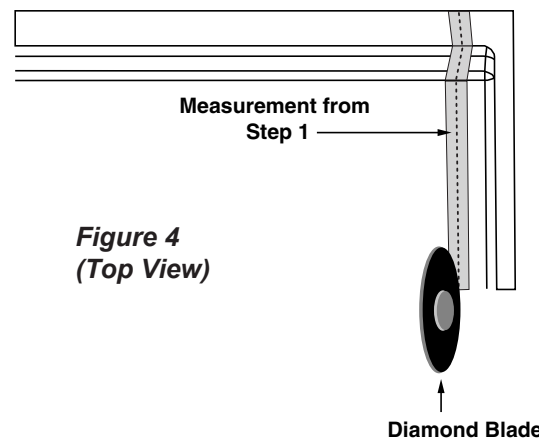


Figure 4
(Top View)

IV Crestline Shower Wall Installation:

- 5** To ensure proper installation, walls must be plumb.

Use a long level to check studs and add shims at top or bottom, if needed, to achieve plumb.

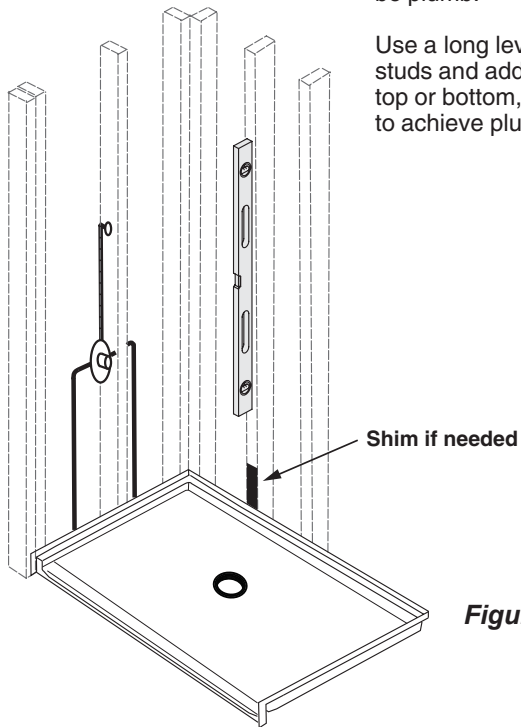


Figure 5

- 6a** Back Wall Installation. If the wall height was not altered, screw at the top nailing flange as shown in Figure 6. Then screw into the corner studs through channels as shown.

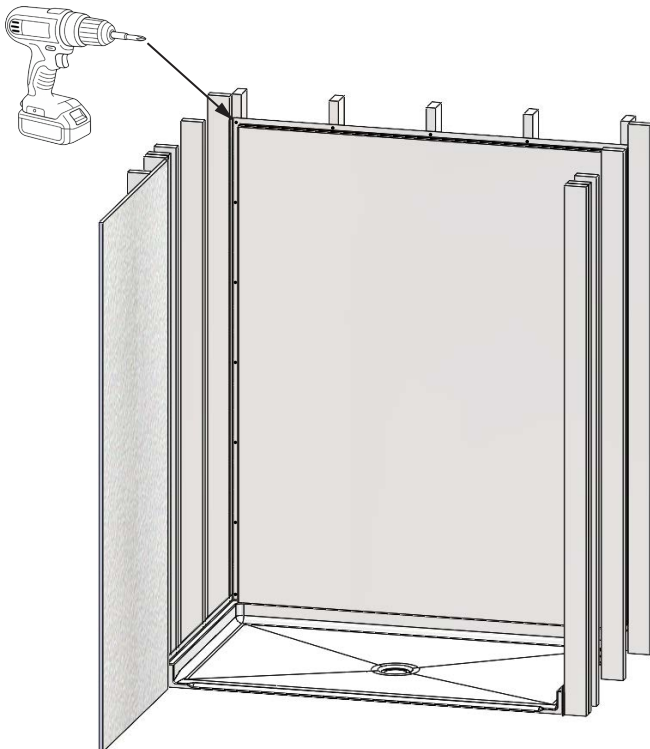


Figure 6

- 6b** If the wall height was altered, screw shims (provided) to the top of the studs as shown in Figure 7.

Be sure to leave approximately 1/4" gap between the top of the shim and the ceiling. This will help the wall to ceiling trim kit installation.

Then, screw into corner studs through channels and through shims as shown in Figure 8.

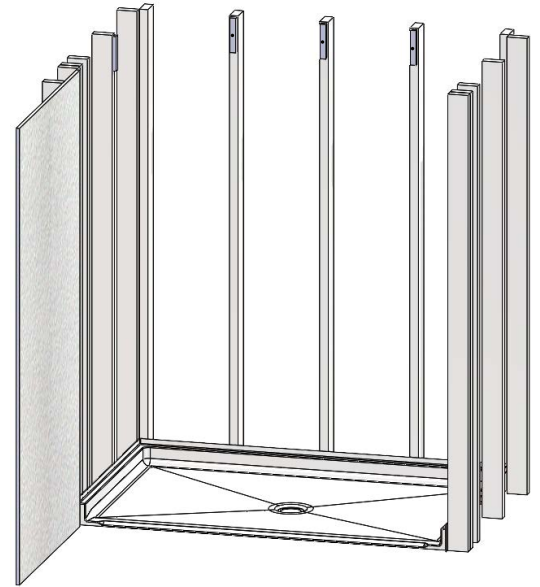


Figure 7

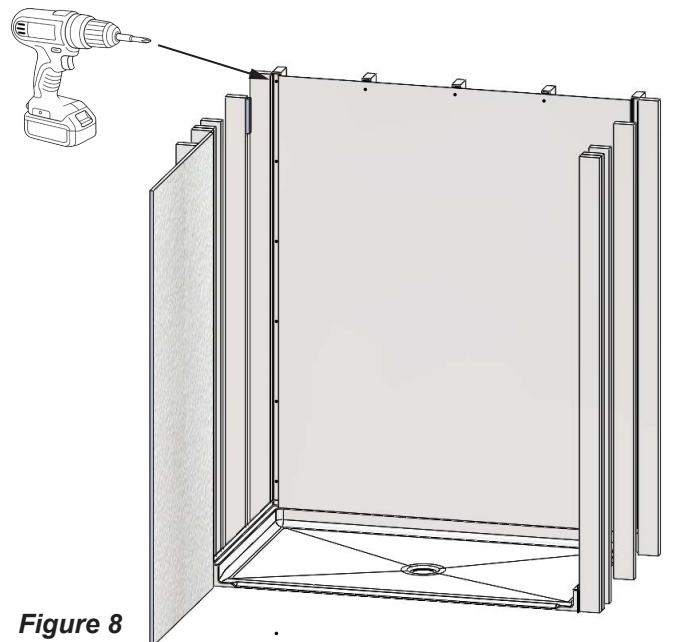


Figure 8

- 7** Measure plumbing location and apply tape on the wall where the cut will take place. Drill plumbing holes in side wall panel using a diamond hole saw, then proceed to side wall installation. Ensure measurements are correct as holes in Crestline walls are non-repairable.

Crestline Shower Wall Installation

INSTALLING SHOWER WALLS (CONTINUED)

8 Side Wall Installation

8a Unless you are doing a dry fit first, apply a generous dollop of construction adhesive (included) between the flange and the back of each Spring Clip as shown in Figure 9.

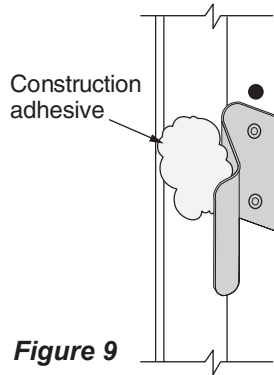


Figure 9

8b Installing Valve Wall:

- (1) Holding side wall angled inward, insert it at the lowest SpringClip first.
- (2) Pivot the wall up to engage the remaining clips.

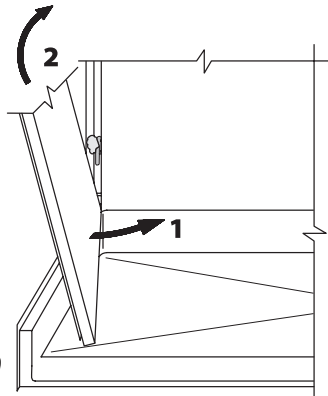


Figure 10

- (3) Keep side wall completely inserted but still angled to clear the shower valve and/or pipe nipple.
- (4) Rotate wall over plumbing. Push wall in until front is flush with pan.

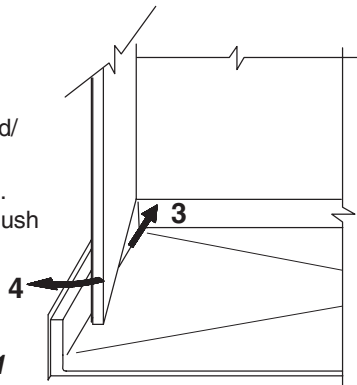


Figure 11

8c Installing Non-Valve Wall:

Holding side wall angled inward, insert it at the lowest SpringClip first, then rotate wall in to insert it at the higher clips. Push wall in until front is flush with pan.

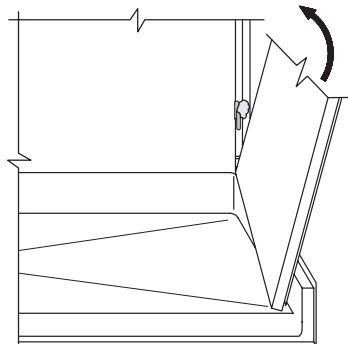


Figure 12

9a If the walls were not altered in height, firmly push walls in such that the front of the wall aligns with the front edge of the pan. Screw at the top nailing flange at each stud and vertically 12" on center as shown in Figure 13.

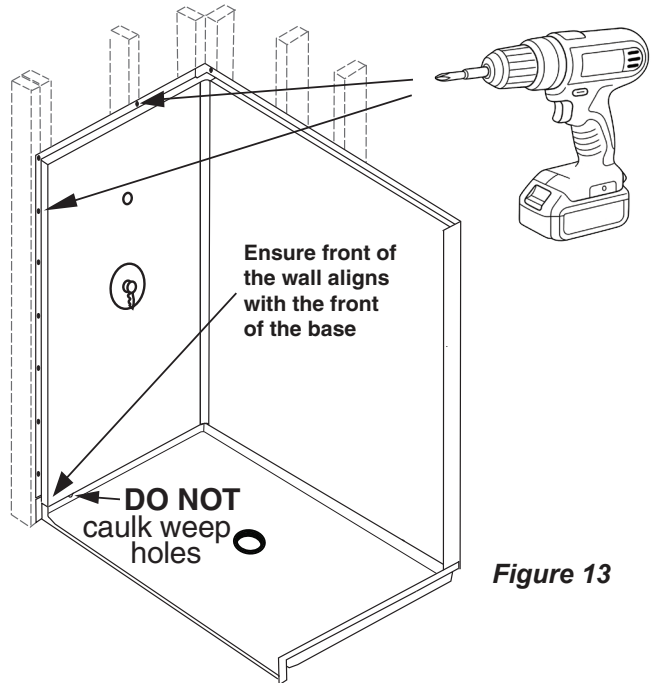


Figure 13

9b If wall height was altered, screw front nailing flanges vertically to studs 12" on center as shown in Figure 14.

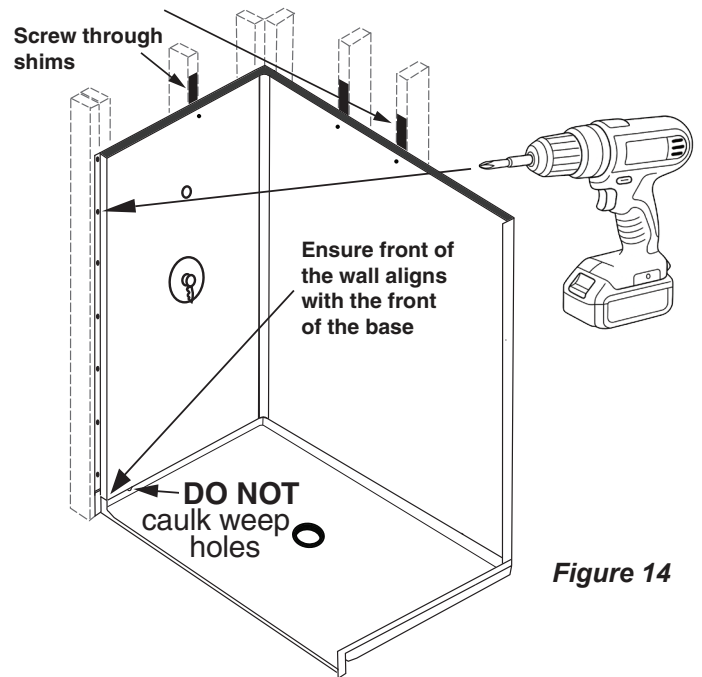


Figure 14

10 Silicone all seams except for the weep holes.