

## Shower Wall to Ceiling Trim Kit

For Crestline Wall Surrounds



###

### I Kit Contents:

- (2) Construction Adhesive
- (2) 100% Silicone Caulk
- (1) Left Front Section - A
- (1) Backwall Section - C
- (1) Right Front Section - E
- (1) Left Top Section - F
- (1) Right Top Section - G

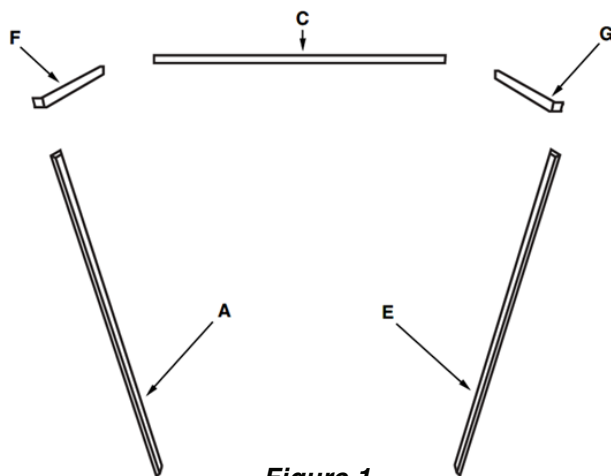


Figure 1

### II Additional Supplies Required:

- Latex Caulk
- 1/4" Luan (optional)
- Brad Nails (optional)
- Brad Nail Gun (optional)

### III Application and Description:

The shower wall to ceiling trim kit is used to hide the seam between a Crestline Wall Surround and the bathroom ceiling. Additionally, the trim kit covers a shower's nailing flange and drywall that was cut or damaged during the shower installation.

#### Cross Section of Trim

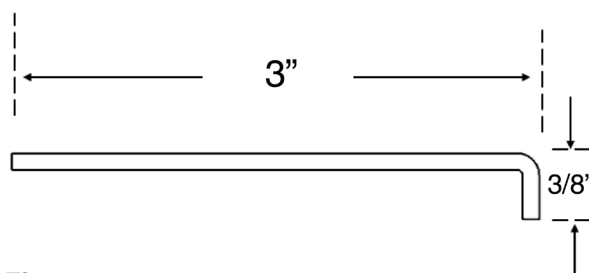


Figure 2  
Trim Kit Cross Section A & E

### I Procedure:

- 1 Once the unit is installed, measure the internal width of the back wall. Then cut piece C to fit.
- 2 Remove the liner from the double-sided tape and adhere piece C in place as shown in Figure 3 and 4.

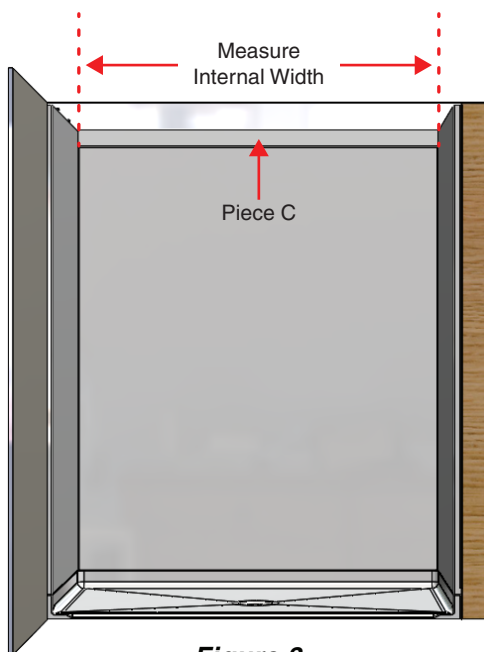


Figure 3

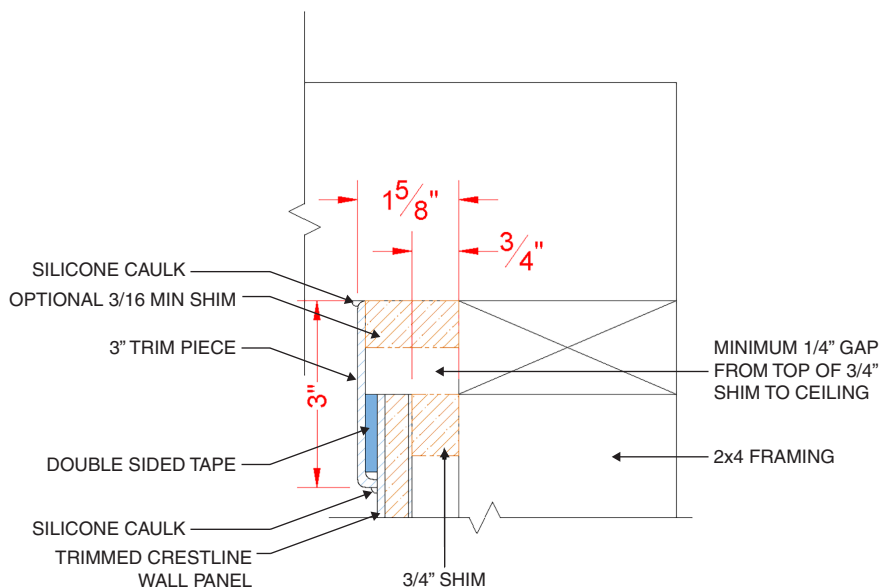
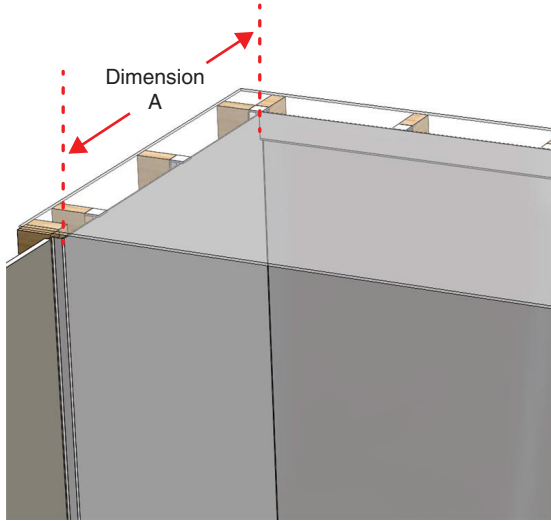
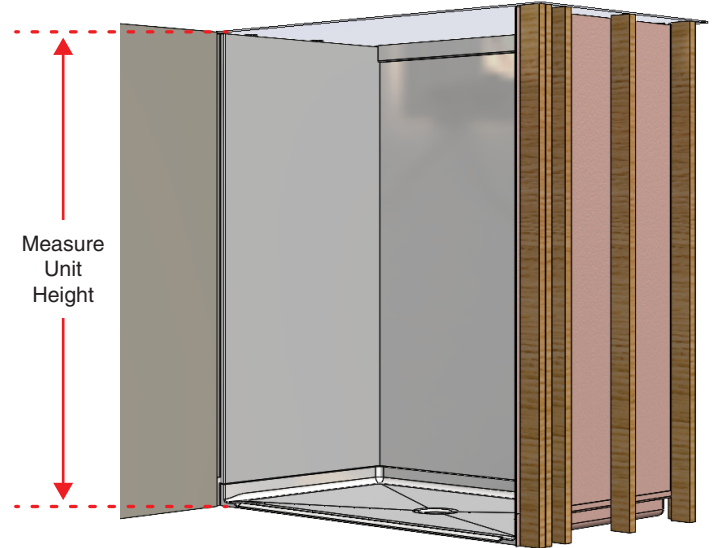


Figure 4

- 3 Measure the distance from the finished face of piece C to the front face of the side walls. This will be referred to as Dimension A. (Fig. 5)
- 4 Measure the unit height and trim the A and E pieces to this dimension. (Fig. 6)

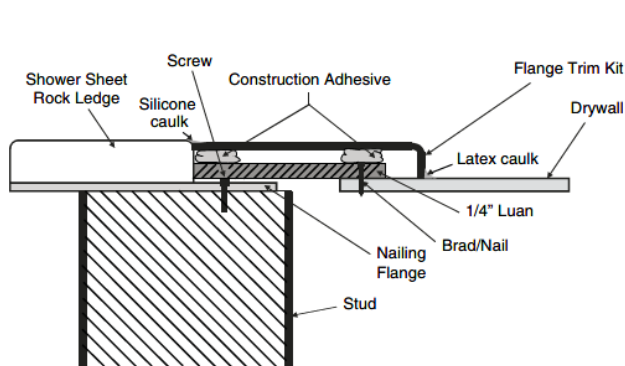


**Figure 5**

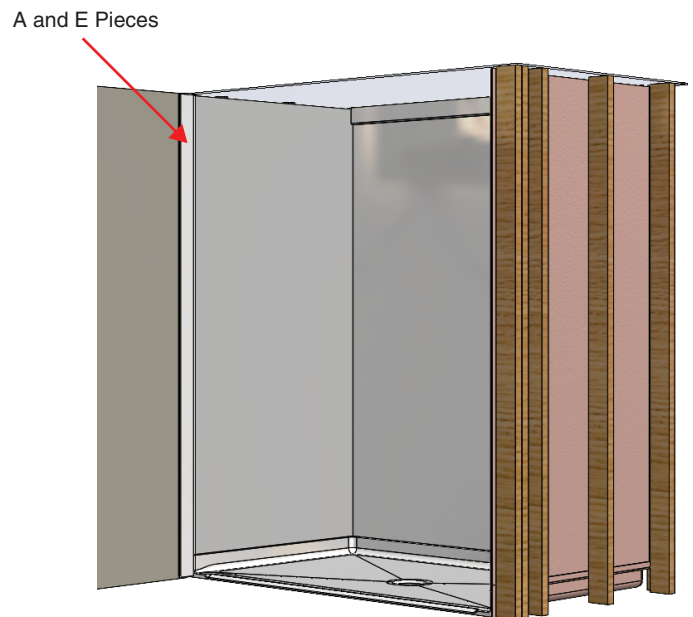


**Figure 6**

- 5 Place a piece of Luan (or other shim material) as shown to bridge the gap between existing drywall and the shower nailing flange. This is only necessary for pieces A and E. (Fig. 7)
- 6 Place dollops of construction adhesive every 8" on the backside of the A and E pieces and press in place. (Fig. 8)

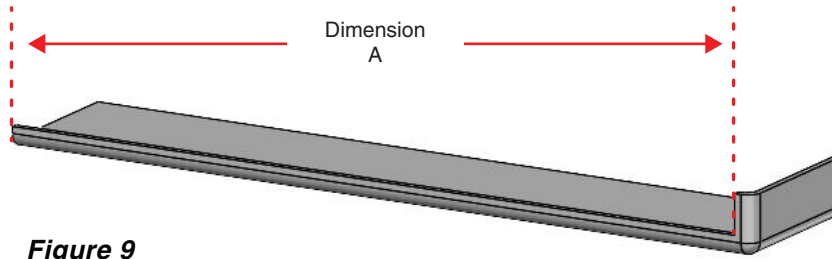


**Figure 7**  
Top View Cross Section Detail of A and E trim pieces



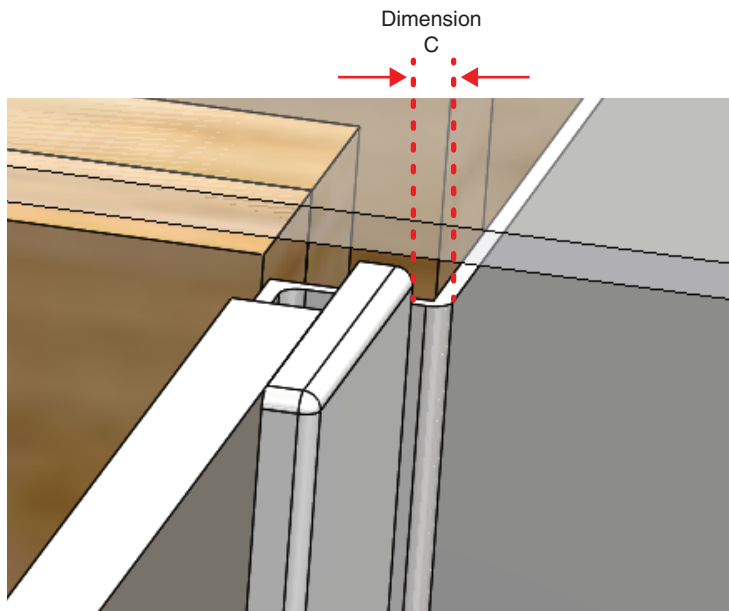
**Figure 8**

- 7 Trim F and G pieces to Dimension A (see Step 3) as shown in Figure 9.



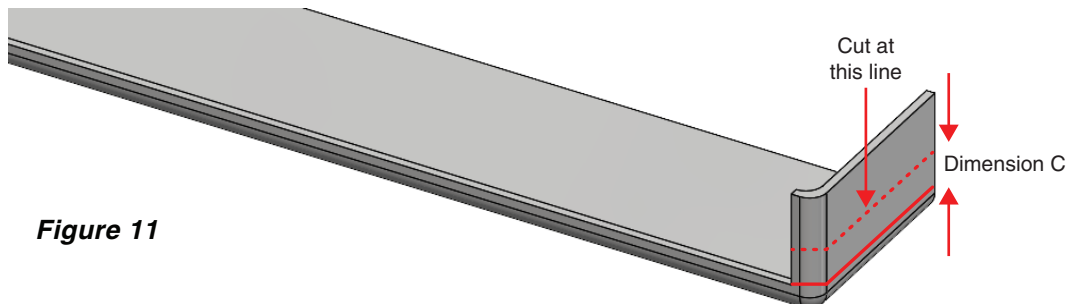
**Figure 9**

- 8 Measure the distance from the finished face of piece A to the inside face of the shower side wall as shown in Figure 10. Repeat on opposite side.



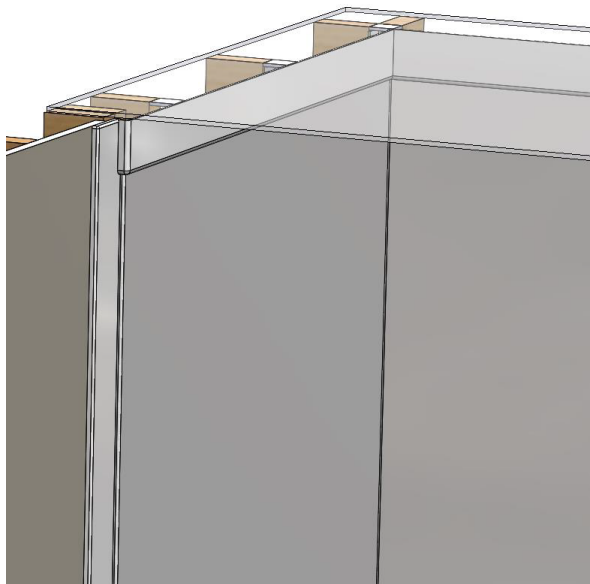
**Figure 10**

- 9 Trim the face of the F and G pieces to Dimension C as shown in Figure 11.



**Figure 11**

- 10 Peel the liner from the double-sided tape and adhere the F and G pieces in place. (Fig. 12)



**Figure 12**

- 11 Finish the internal seams with silicone caulk and the external seams with latex caulk.