

Shower Flange Trim Kits

for 3" wide kits



###

I Kit Contents:

- (2) Construction Adhesive
- (2) 100% Silicone Caulk
- (1) Backwall Section
- (1) Left Front Section
- (1) Left Top Section
- (1) Right Top Section
- (1) Right Front Section

II Additional Supplies Required:

- Latex Caulk (not included)
- 1/4" Luan (optional)

III Application and Description:

Flange trim kits are used to cover a shower's nailing flanges after a unit has been installed. In addition, FTK's cover drywall that has been cut or damaged during the shower installation process.

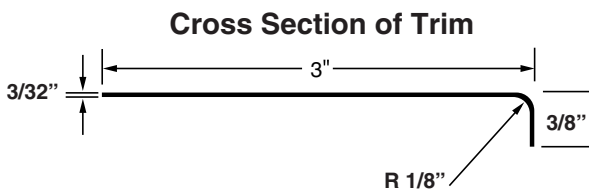


Figure 1
Trim Kit Cross Section

*All Fiberglass pieces are made with color matched gelcoat

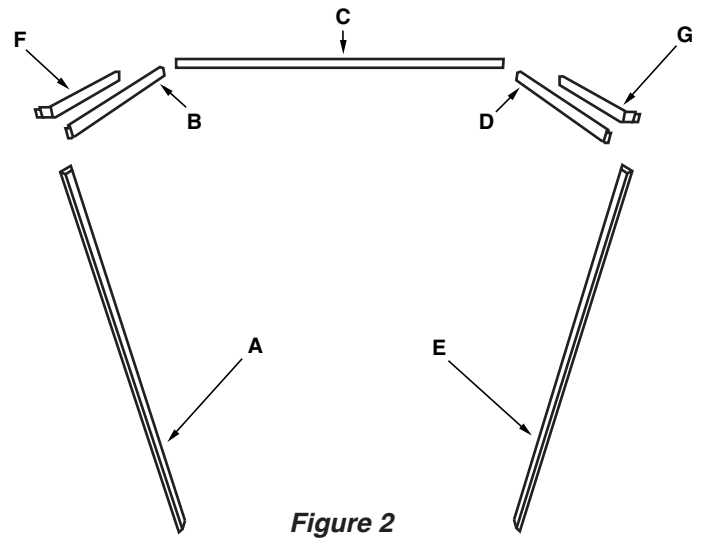


Figure 2

IV Procedure:

Video installation steps can be found on youtube under "how to install trim kit upgrade Bestbath".

- 1 Recommended: If there is a gap between the shower's nailing flanges and the cut sheetrock (for shower installation), use Luan strips to span the gap (Figure 9).
- 2 Trim the back piece (C) to fit on the back sheetrock ledges of the shower (See Figure 7).
- 3a With piece (C) in place (but not adhered), measure the distance to the front sheetrock ledge of the shower. (See Figure 3) This will be referred to as Dimension A.
- 3b If the unit has a reveal, measure the distance to the front nailing flange of the reveal wall. (See Figure 4) This will be referred to as Dimension B.

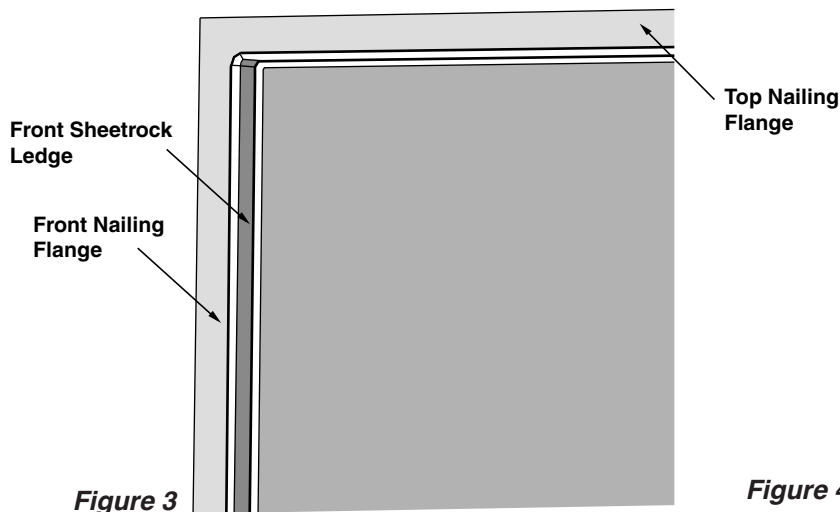


Figure 3

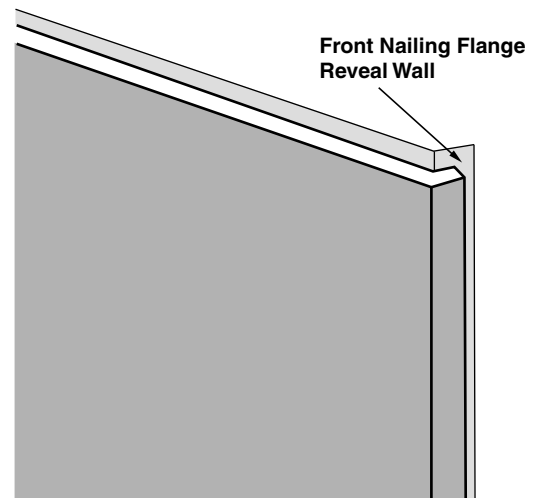


Figure 4

Flange Trim Kit

INSTALLING TRIM KIT (CONTINUED)

- Trim Pieces (B) & (D) to Dimension A (See Figure 7) and pieces (F) & (G) to Dimension B as applicable.
- With the top side pieces in place, measure the distance from the top of the trim piece to the floor. Then trim pieces (A) and (E) to this dimension so that they assemble as shown in Figure 5 and 6.

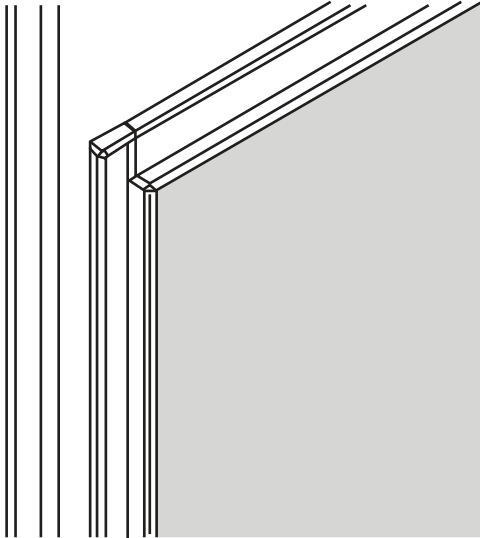


Figure 5

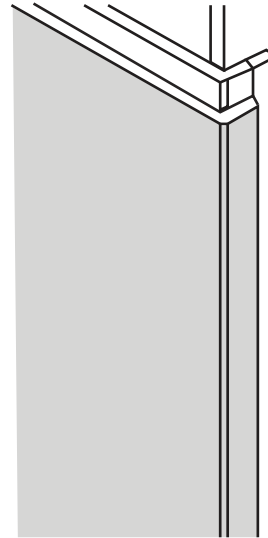


Figure 6

- Place dollops of construction adhesive every 8" on the FTK's backsides and press in place. Attach the backwall piece first and proceed with the upper side pieces.
- Apply silicone caulk and latex as shown in Figures 8 and 9.

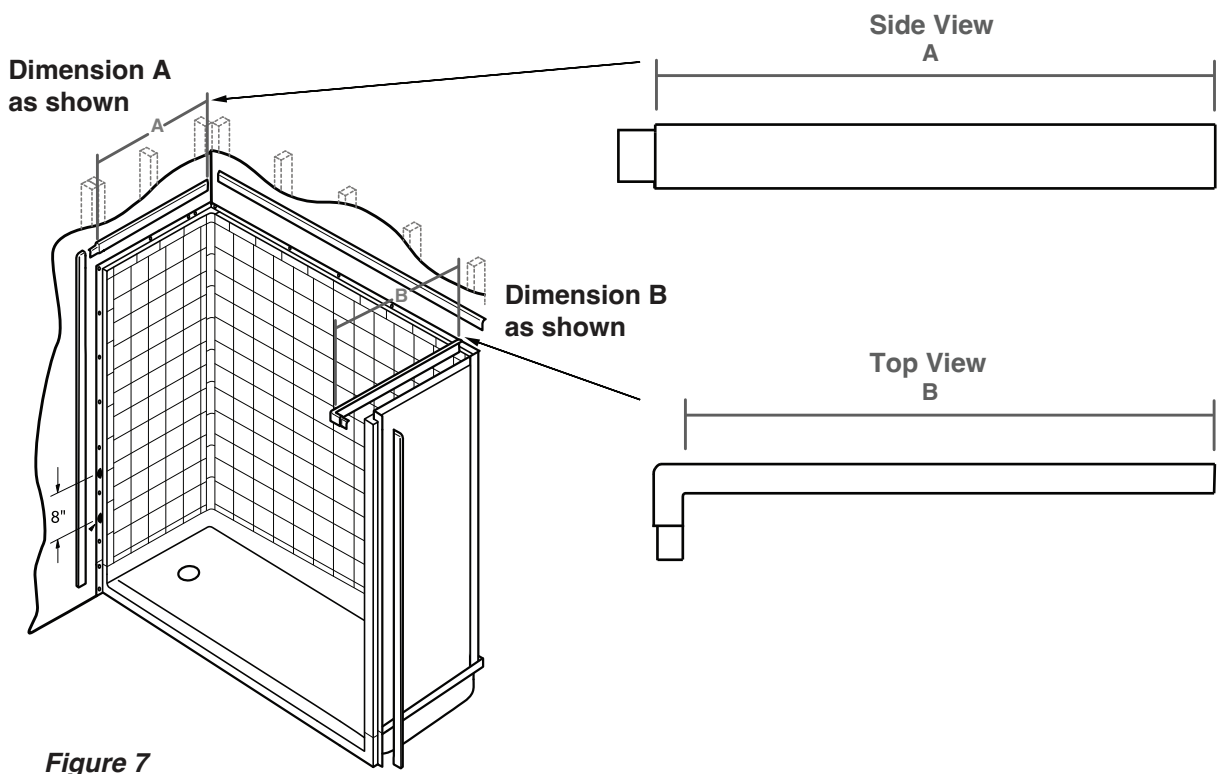


Figure 7

Flange Trim Kit

INSTALLING TRIM KIT (CONTINUED)

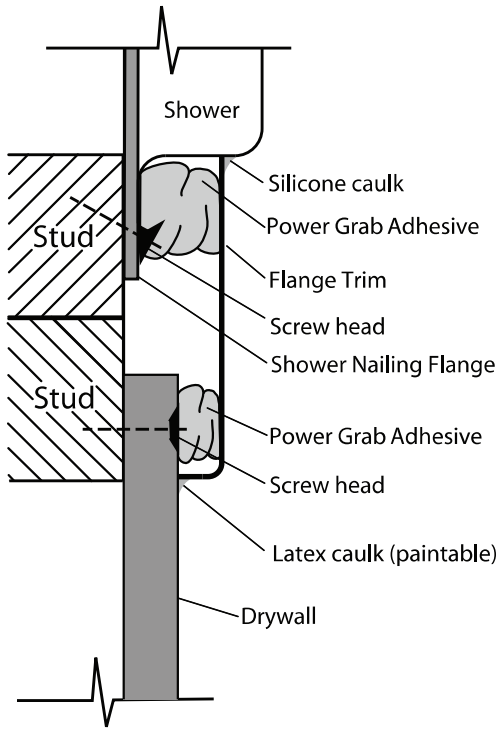


Figure 8
Cross Section FTK
Installed Option A

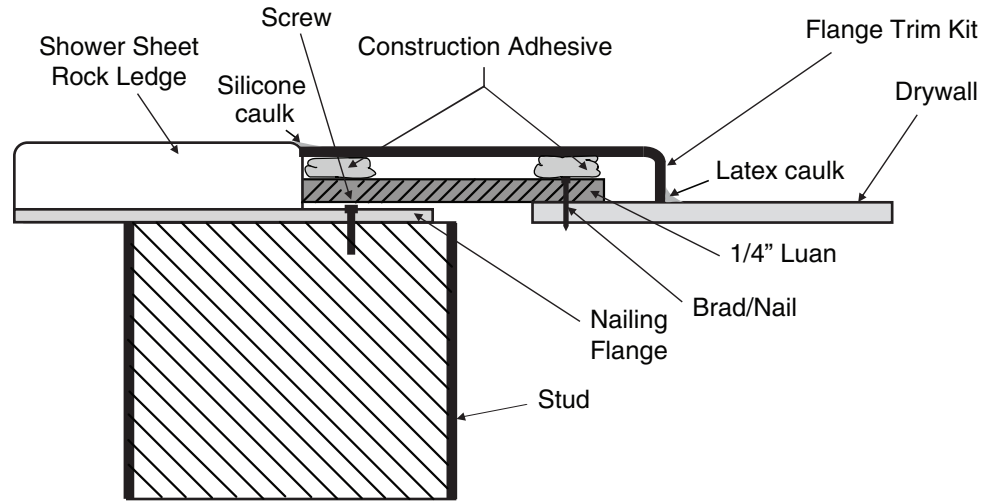


Figure 9
Cross Section FTK
Installed Option B