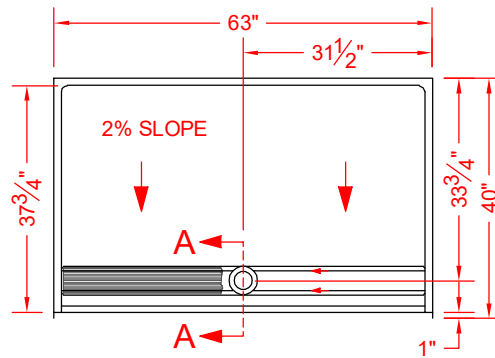


MODEL: P26339A75FTB.V3*

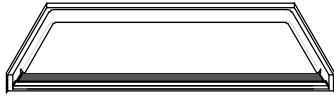


SEE OVER

*ALL ACCESSORIES OPTIONAL



TOP VIEW - SCALE $\frac{3}{8}$ " = 1'-0"

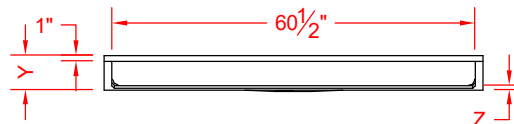


PERSPECTIVE VIEW - N.T.S.

Features:

- ADA compliant roll-in shower pan with trench drain and stainless steel grate
- Molded gelcoat/fiberglass shower pan
- Available in various threshold heights
- On threshold heights 1-1/2" or taller, mud set is required
- On all threshold heights 1-1/4" or shorter, no mud set is required, but an epoxy adhesive kit is supplied

*OTHER THRESHOLD HEIGHTS AVAILABLE UPON REQUEST



FRONT ELEVATION - SCALE: $\frac{3}{8}$ " = 1'-0"

UNIT THRESHOLD HEIGHT

MODEL #	Y	Z*
P26339A75FTB.V3	5-3/4"	3/4" MIN
P26339A2FTB.V3	7"	2" MAX

* - SEE BACK FOR DETAIL SECTIONS

PRODUCT SPECIFICATIONS:

- Single-piece shower pan shall be constructed of gelcoat/fiberglass and have a stainless steel trench drain grate.
- Rough-In: Stud opening +1/4" -0" Nominal Dimensions.

C.S.I. FORMAT SPECIFICATION TEXT AVAILABLE

PRODUCT INFORMATION:

- Accessories: Factory installed, unless prone to damage during installation/shipping. Polished chrome/satin stainless standard, others available.
- Colors: White as standard, others to match any major fixture manufacturer, also available with sprayable solid surface in many colors
- Custom curb heights, other than shown, are available (between min. and max.)

OPTIONAL ACCESSORIES:

- INSTALLED BY OTHERS:
- Trench grate and No-caulk brass drain (INCLUDED)

CODES:

- Designed and manufactured in compliance with the following standards and codes:
- ANSI Z124.2 Standards for Plastic Showers
 - ADA Accessibility Guidelines for Buildings and Facilities
 - ANSI A117.1 A - Accessible and Usable Buildings and Facilities
 - ANSI A117.1 B - Accessible and Usable Buildings and Facilities
 - IPC International Plumbing Code
 - UPC Uniform Plumbing Code

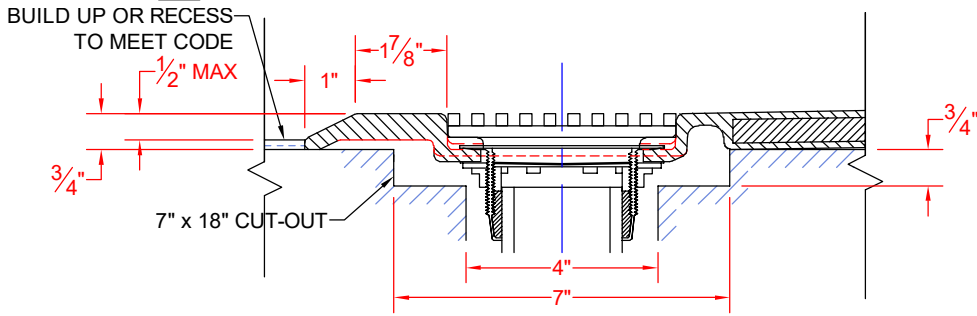
NOTICE OF LIMITATION:

- Recess as needed for trench, see page 2
- Recess floor as required

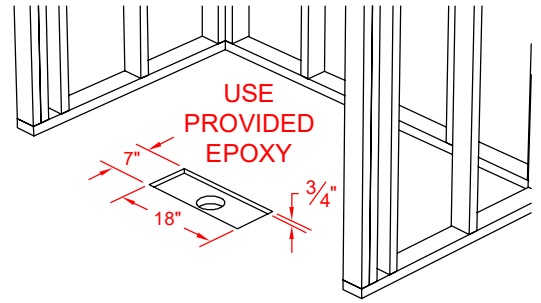


We reserve the right to make revisions without notice in the design of fixtures or in packaging unless this right has specifically been waived at the time the order is accepted.

P26339A75FTB.V3

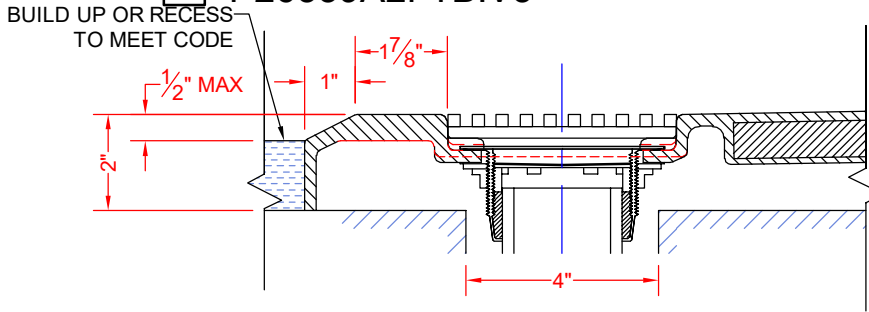


SECTION A-A - SCALE: 3" = 1'-0"

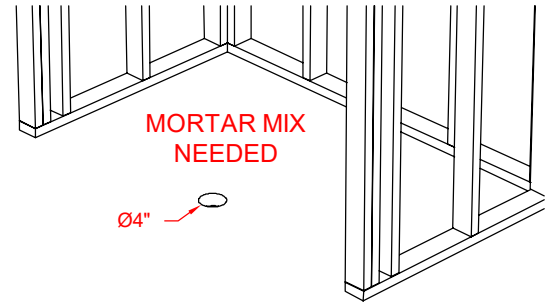


FOR MODELS ENDING IN A75FT*.V3, INSTALLATION REQUIRES A 7" x 18" x 3/4" CUT-OUT.

P26339A2FTB.V3



SECTION A-A - SCALE: 3" = 1'-0"



FOR MODELS ENDING IN A15FT*.V3, A17FT*.V3, OR A2FT*.V3, INSTALLATION REQUIRES A 4" DRAIN HOLE.

****OTHER THRESHOLD HEIGHTS AVAILABLE UPON REQUEST****