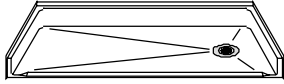


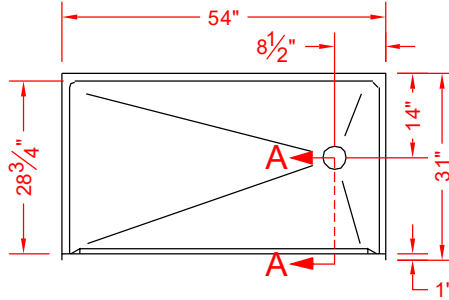
# MODEL: P5430E75B\* L/R

\*ALL ACCESSORIES OPTIONAL

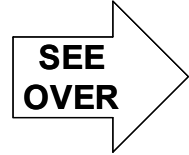
## BARRIER FREE



**PERSPECTIVE VIEW - N.T.S.**  
MODEL SHOWN HERE AS:  
RIGHT DRAIN

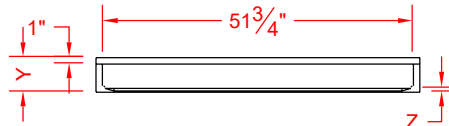


**TOP VIEW - SCALE  $\frac{3}{8}'' = 1'-0''$**



### Features:

- Molded, one-piece gelcoat/fiberglass shower pan
- Available in various threshold heights
- On all threshold heights 1-1/2" or taller, no mud set is required
- On all threshold heights 1-1/4" or shorter, no mud set is required and an anchoring adhesive kit is supplied



**FRONT ELEVATION - SCALE:  $\frac{3}{8}'' = 1'-0''$**

### \*OTHER THRESHOLD HEIGHTS AVAILABLE UPON REQUEST

MODEL #	UNIT THRESHOLD HEIGHT	
	Y	Z*
P5430E75B	5-3/4"	3/4" MIN
P5430E2B	7"	2" MAX

\* - SEE BACK FOR DETAIL SECTIONS

### PRODUCT SPECIFICATIONS:

- Single-piece shower pan shall be constructed of gelcoat/fiberglass
- Rough-In: Stud opening +1/4" -0" Nominal Dimensions.

C.S.I. FORMAT SPECIFICATION TEXT AVAILABLE

### PRODUCT INFORMATION:

- Colors: White as standard, others to match any major fixture manufacturer, also available with sprayable solid surface in many colors
- Custom curb heights, other than shown, are available (between min. and max.)

### OPTIONAL ACCESSORIES:

- INSTALLED BY OTHERS:**
- T-shaped WaterStopper kit
  - Semi-permanent threshold adapter
  - No-caulk brass drain

### CODES:

- Designed and manufactured in compliance with the following standards and codes:
- A.N.S.I. Z124.2 Standards for Plastic Showers

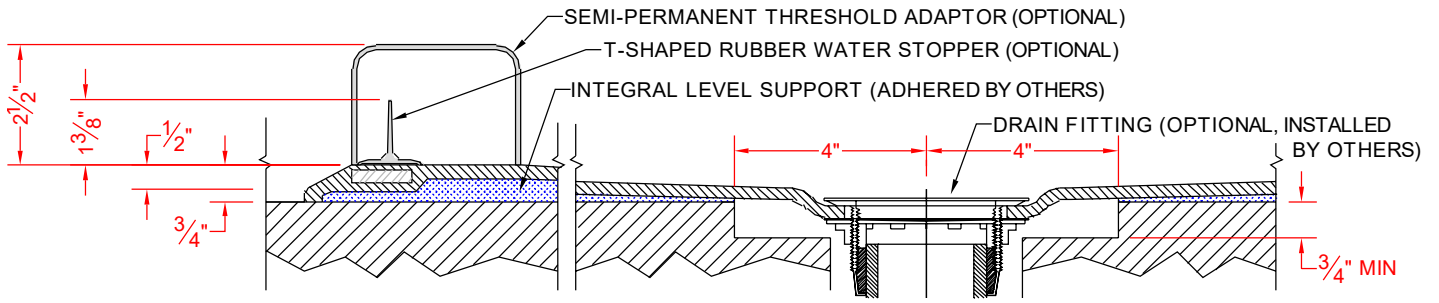
### NOTICE OF LIMITATION:

- Adhere to floor as required
- Does not meet:
  - I.P.C. International Plumbing Code
  - U.P.C. Uniform Plumbing Code



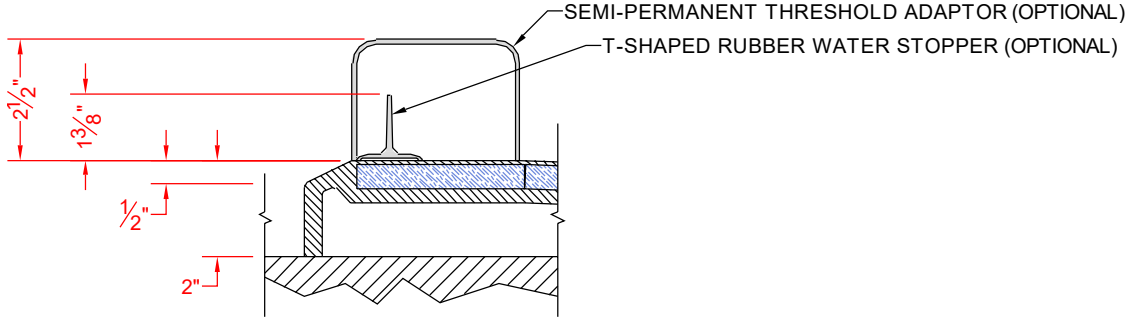
*We reserve the right to make revisions without notice in the design of fixtures or in packaging unless this right has specifically been waived at the time the order is accepted.*

□ P5430E75B L/R



SECTION A-A - SCALE: 3" = 1'-0"

□ P5430E2B L/R



SECTION A-A - SCALE: 3" = 1'-0"

**\*\*OTHER THRESHOLD HEIGHTS AVAILABLE UPON REQUEST\*\***