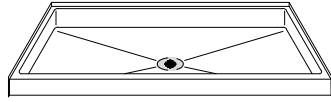


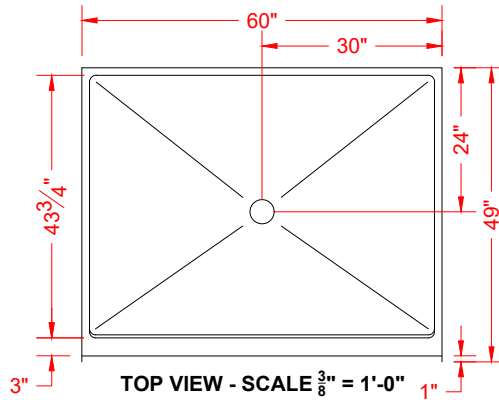
MODEL: P6048.V2

**REMODELER**



PERSPECTIVE VIEW - N.T.S.

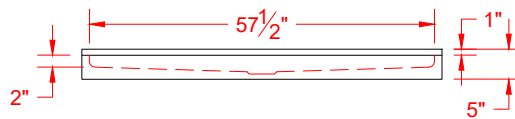
\*ALL ACCESSORIES OPTIONAL




TOP VIEW - SCALE  $\frac{3}{8}'' = 1'-0''$

**Features:**

- Molded, one-piece gelcoat/fiberglass shower pan



FRONT ELEVATION - SCALE:  $\frac{3}{8}'' = 1'-0''$

<p><b>PRODUCT SPECIFICATIONS:</b></p> <ul style="list-style-type: none"> <li>-Single-piece shower pan shall be constructed of gelcoat/fiberglass</li> <li>-Rough-In: Stud opening +1/4" -0" Nominal Dimensions.</li> </ul> <p>C.S.I. FORMAT SPECIFICATION TEXT AVAILABLE</p>		
<p><b>PRODUCT INFORMATION:</b></p> <ul style="list-style-type: none"> <li>-Accessories: Factory installed, unless prone to damage during installation/shipping. Polished chrome/satin stainless standard, others available.</li> <li>-Colors: White as standard, others to match any major fixture manufacturer, also available with sprayable solid surface in many colors</li> </ul>	<p><b>OPTIONAL ACCESSORIES:</b></p> <p><u>INSTALLED BY OTHERS:</u></p> <ul style="list-style-type: none"> <li>-No-caulk brass drain</li> </ul>	<p><b>CODES:</b></p> <p>Designed and manufactured in compliance with the following standards and codes:</p> <ul style="list-style-type: none"> <li>-ANSI Z124.2 Standards for Plastic Showers</li> <li>-ANSI A117.1 B - Accessible and Usable Buildings and Facilities</li> <li>-IPC International Plumbing Code</li> <li>-UPC Uniform Plumbing Code</li> </ul>
		<p><b>NOTICE OF LIMITATION:</b></p>
 <p><i>We reserve the right to make revisions without notice in the design of fixtures or in packaging unless this right has specifically been waived at the time the order is accepted.</i></p>		