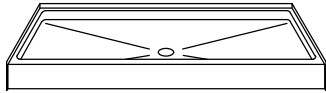


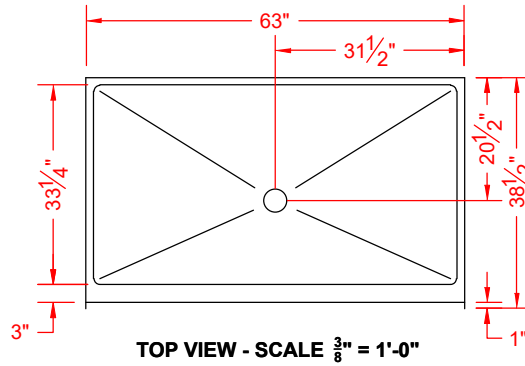
# MODEL: P6337AFR\*

# REMODELER

\*ALL ACCESSORIES OPTIONAL



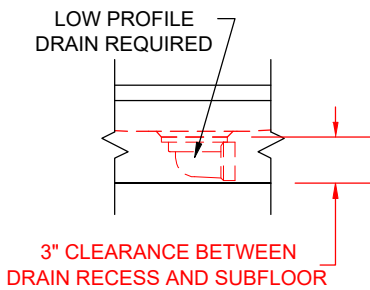
PERSPECTIVE VIEW - N.T.S.



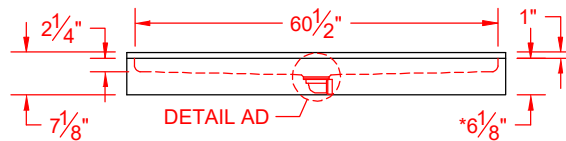
TOP VIEW - SCALE  $\frac{3}{8}'' = 1'-0''$

## Features:

- Molded, one-piece, gelcoat fiberglass shower pan
- Above floor rough allows for a minimum of 3" clearance from the bottom of the drain recess to the sub floor



DETAIL AD - SCALE: N.T.S.  
AFR DETAIL



FRONT ELEVATION - SCALE:  $\frac{3}{8}'' = 1'-0''$

**\*OTHER THRESHOLD HEIGHTS AVAILABLE UPON REQUEST  
MAX TRIM HEIGHT OF 7-1/2"**

## PRODUCT SPECIFICATIONS:

- Single-piece shower pan shall be constructed of gelcoat/fiberglass
- Rough-In: Stud opening +1/4" -0" Nominal Dimensions.

C.S.I. FORMAT SPECIFICATION TEXT AVAILABLE

## PRODUCT INFORMATION:

- Accessories: Factory installed, unless prone to damage during installation/shipping. Polished chrome/satin stainless standard, others available.
- Colors: White as standard, others to match any major fixture manufacturer, also available with sprayable solid surface in many colors

## OPTIONAL ACCESSORIES:

### INSTALLED BY OTHERS:

- No-caulk brass drain

## CODES:

- Designed and manufactured in compliance with the following standards and codes:
- ANSI Z124.2 Standards for Plastic Showers
  - ANSI A117.1 B - Accessible and Usable Buildings and Facilities
  - IPC International Plumbing Code
  - UPC Uniform Plumbing Code

## NOTICE OF LIMITATION:



*We reserve the right to make revisions without notice in the design of fixtures or in packaging unless this right has specifically been waived at the time the order is accepted.*