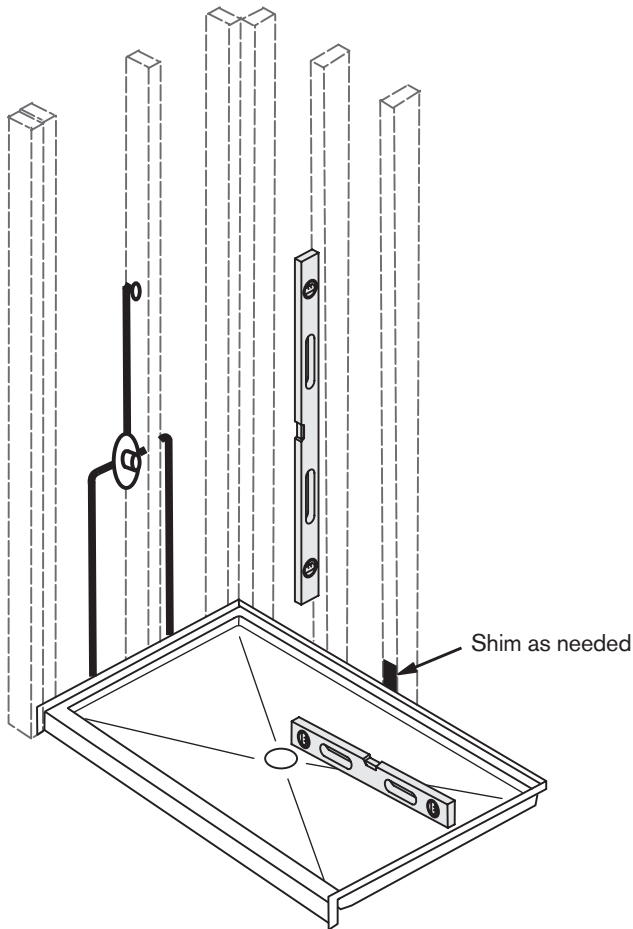


Solid-Core Pan

with reinforced bottom

- 1** Check shower pocket area for level and for correct dimensions. Make sure drain hole in floor is in the correct position.
- 2** **DRY-FIT THE PAN:** Set pan in the pocket. You **MUST** use a level to ensure pan is level. Shim if necessary.

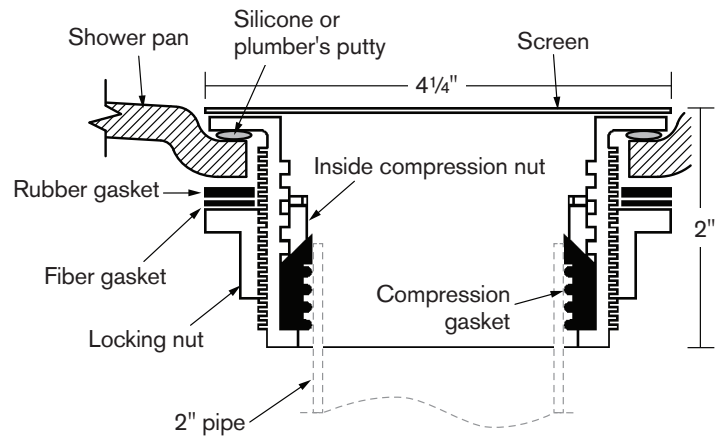


- 3** Remove pan from the framing pocket. Have a plumber install drain fitting in pan (see Steps 7–9). Plumber should also prepare drain pipe to receive the drain.

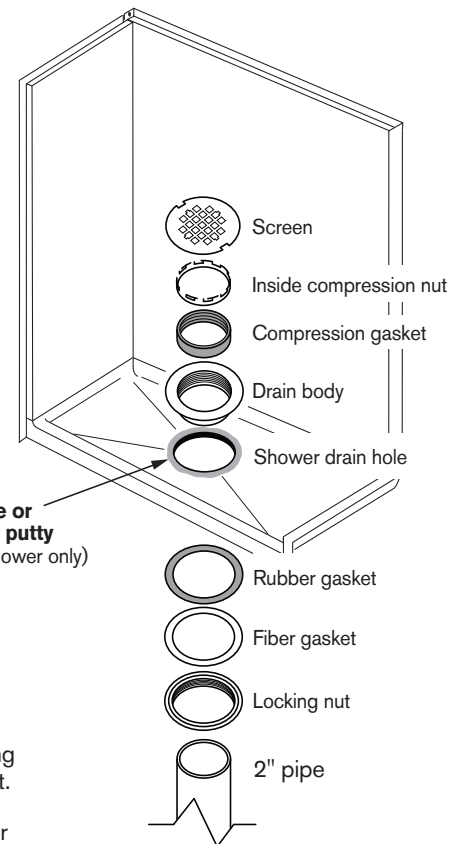
! *To avoid deforming the pan, once drain fitting is installed DO NOT store the pan resting on the drain.*

- 4** Sweep the floor and remove all debris from pocket area, then position pan in pocket.
- 5** Make sure floor drains properly by pouring water on it or checking it with a level. If in doubt, remove pan and review the previous steps.
- 6** Screw flanges to framing.

Cross-section of drain (installed)



- 7** Remove inside compression nut and compression gasket.
- 8** Apply silicone or plumber's putty around shower drain hole on the inside of shower only.
- 9** Install drain body in shower drain hole.



- 10** Install rubber gasket, fiber gasket and locking nut; tighten locking nut.
- 11** Install shower pan over drain pipe (or install pipe later.)
- 12** Slide inside compression gasket into drain body and slip over pipe. **Make sure beveled end of inside compression gasket is facing up and is flush with pipe surface.**
- 13** Tighten inside compression nut into drain body using the tool provided.