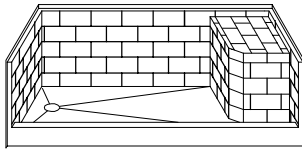


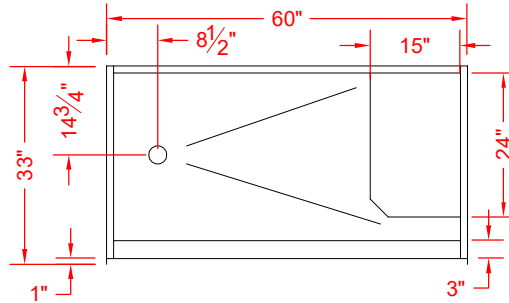
# MODEL: PBS6032\* L/R

# REMODELER

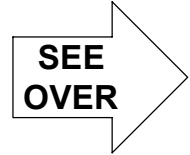
\*ALL ACCESSORIES OPTIONAL



**PERSPECTIVE VIEW - N.T.S.**  
**MODEL SHOWN HERE AS:**  
 LEFT DRAIN

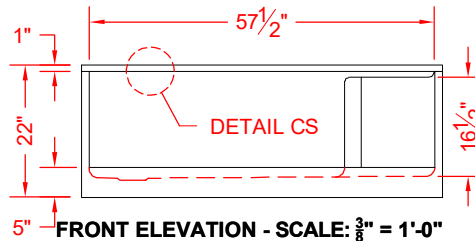


**TOP VIEW - SCALE  $\frac{3}{8}$ " = 1'-0"**



## Features:

- Molded, one-piece gelcoat/fiberglass seated shower pan module
- "Subway Tile" wall finish, white (standard)
- Integral full wood backing for strength and unlimited accessory placement



**FRONT ELEVATION - SCALE:  $\frac{3}{8}$ " = 1'-0"**

\* - SEE BACK FOR DETAIL SECTIONS

## PRODUCT SPECIFICATIONS:

- Single-piece seat shower pan module shall be constructed of gelcoat/fiberglass with full integral plywood backing in the walls
- Rough-In: Stud opening +1/4" -0" Nominal Dimensions.

C.S.I. FORMAT SPECIFICATION TEXT AVAILABLE

## PRODUCT INFORMATION:

- Accessories: Factory installed, unless prone to damage during installation/shipping. Polished chrome/satin stainless standard, others available.
- Colors: White as standard, others to match any major fixture manufacturer, also available with sprayable solid surface in many colors

## OPTIONAL ACCESSORIES:

- INSTALLED BY OTHERS:
- No-caulk brass drain

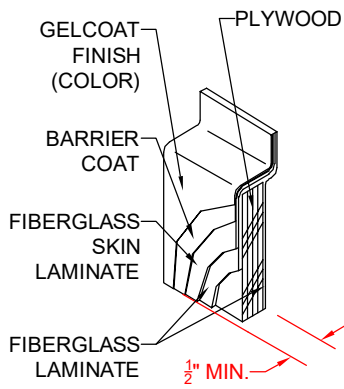
## CODES:

Designed and manufactured in compliance with the following standards and codes:  
 C.S.A.-B45.5 2017  
 I.A.P.M.O. Z124 2017 Plastic Plumbing Fixtures

## NOTICE OF LIMITATION:



*We reserve the right to make revisions without notice in the design of fixtures or in packaging unless this right has specifically been waived at the time the order is accepted.*



**DETAIL CS - SCALE: N.T.S.  
CROSS SECTION DETAIL**